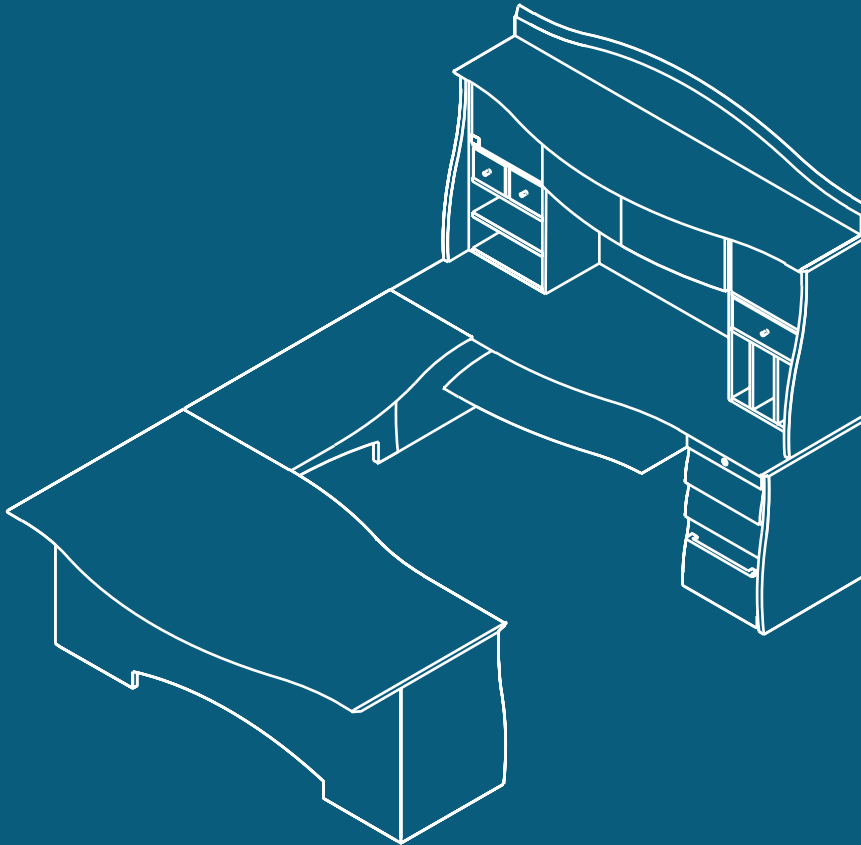


metropole™



EXECUTIVE
OFFICE
FURNITURE

Price List



Desks **1**

Credenzas **2**

Returns & Bridges **3**

Hutches **4**

Modular Pedestals & Tops **5**

Bookcases, Lateral Files & Wardrobes **6**

Conference **7**

Terms and Conditions **8**

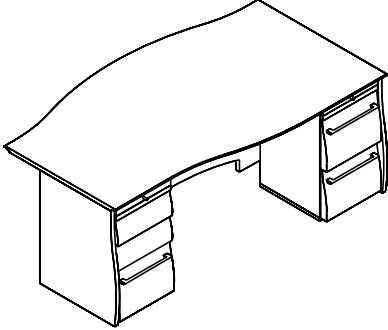
Shipping Zones **9**

1 Desks

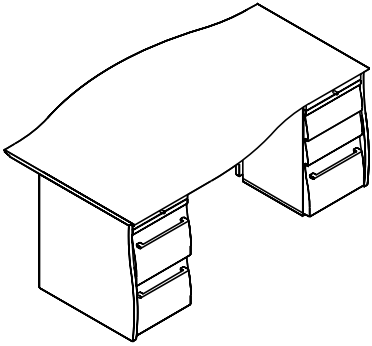
Description	Model No.	Size (WxDxH)	Wt.	Price
-------------	-----------	--------------	-----	-------

DOUBLE PEDESTAL DESKS

Right return shell with double pedestals.	GDPD7239R	72 x 39 x 29	415#	\$2450
---	-----------	--------------	------	--------



Left return shell with double pedestals.	GDPD7239L	72 x 39 x 29	415#	\$2450
--	-----------	--------------	------	--------



Metropole is designed for use in individual, corporate and home offices. The ergonomic shape and user-friendly edge of the *Desk and Credenza Shells* not only provide an expanded working space but the right or left hand enlarged portion of the work surface connects with the *Bridge or Return* elements to give convenient flow to the complete unit.

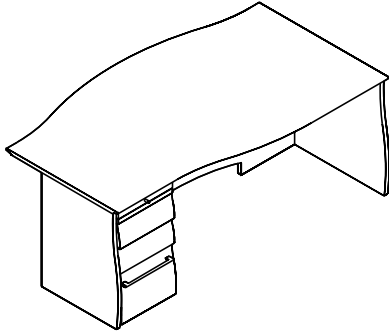
Desks

1

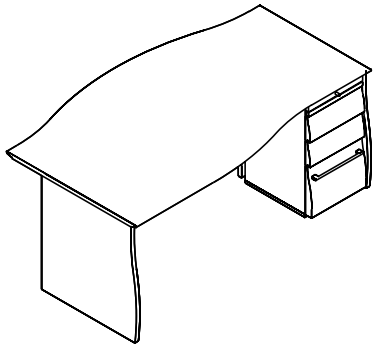
Description	Model No.	Size (WxDxH)	Wt.	Price
-------------	-----------	--------------	-----	-------

SINGLE PEDESTAL DESKS

Right return shell with single pedestal.	GSPD7239R	72 x 39 x 29	325#	\$1590
--	-----------	--------------	------	--------



Left return shell with single pedestal.	GSPD7239L	72 x 39 x 29	325#	\$1590
---	-----------	--------------	------	--------

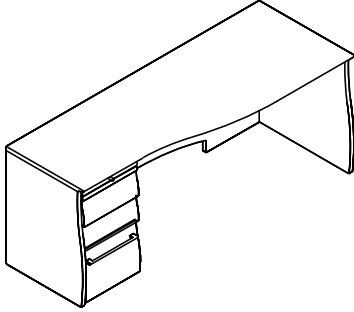


② Credenzas

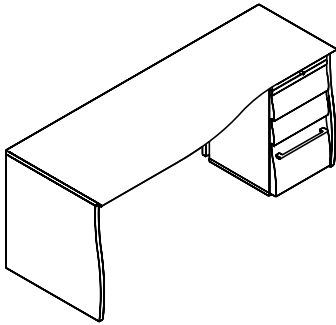
Description	Model No.	Size (WxDxH)	Wt.	Price
-------------	-----------	--------------	-----	-------

SINGLE PEDESTAL CREDENZAS

Right return credenza shell with single pedestal.	GSPC7227R	72 x 27 x 29	310#	\$1450
---	-----------	--------------	------	--------



Left return credenza shell with single pedestal.	GSPC7227L	72 x 27 x 29	310#	\$1450
--	-----------	--------------	------	--------

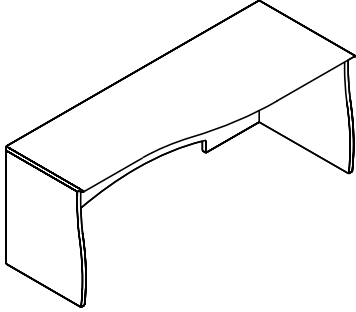


Credenzas

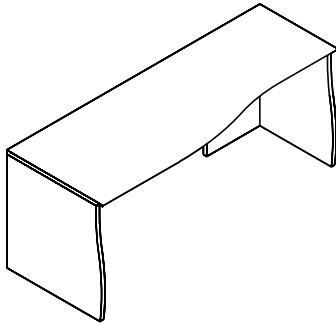
Description	Model No.	Size (WxDxH)	Wt.	Price
-------------	-----------	--------------	-----	-------

CREDENZA OPEN SHELLS

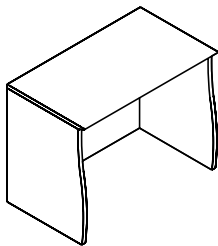
Right return credenza open shell.	GOCS7227R	72 x 27 x 29	230#	\$665
-----------------------------------	-----------	--------------	------	-------



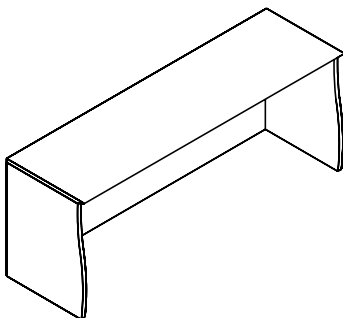
Left return credenza open shell.	GOCS7227L	72 x 27 x 29	230#	\$665
----------------------------------	-----------	--------------	------	-------



Single lateral file shell.	GOF53822	38 x 22 x 29	155#	\$495
----------------------------	----------	--------------	------	-------



Double lateral file shell.	GDFS7422	74 x 22 x 29	200#	\$615
----------------------------	----------	--------------	------	-------

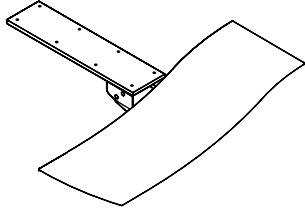


2 Credenzas

Description	Model No.	Size (WxDxH)	Wt.	Price
-------------	-----------	--------------	-----	-------

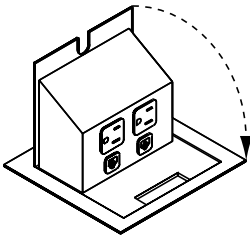
CREDENZA OPTIONS

Work surface extension.	GWSE3812	38 x 12 x 3.5	6#	\$275
-------------------------	----------	---------------	----	-------



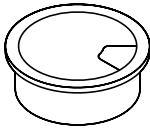
Expands the *credenza shell's* surface to allow for a keyboard or a laptop computer with room to spare. When not in use, it slides conveniently beneath the top.

Power & communication module.	GPCM50	6 x 5.5 x 4	3#	\$200
-------------------------------	--------	-------------	----	-------



A single unit that combines a RJ-11 voice jack, RJ-45 data jack and two 15 AMP/125 volt outlets. Closes flush with the surface.

Pass through grommet.	GTG50	2.5 dia.	1#	\$35
-----------------------	-------	----------	----	------

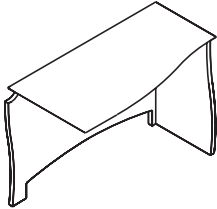


Returns & Bridges

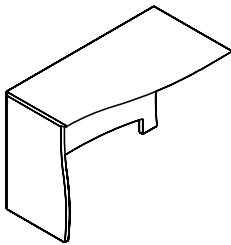
Description	Model No.	Size (WxDxH)	Wt.	Price
-------------	-----------	--------------	-----	-------

RETURNS

Right return.	GORR4222	42 x 22 x 29	145#	\$440
---------------	----------	--------------	------	-------

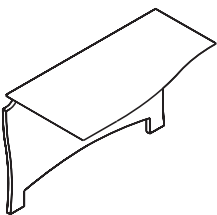


Left return.	GOLR4222	42 x 22 x 29	145#	\$440
--------------	----------	--------------	------	-------

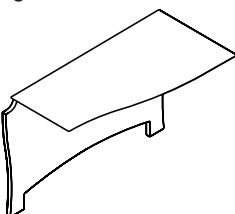


BRIDGES

Right bridge.	GORB4222	42 x 22 x 29	120#	\$360
---------------	----------	--------------	------	-------



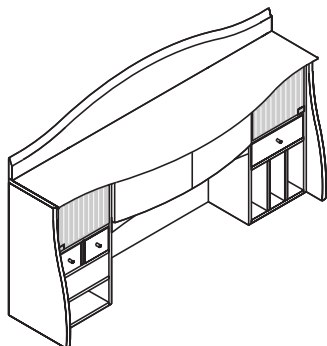
Left bridge.	GOLB4222	42 x 22 x 29	120#	\$360
--------------	----------	--------------	------	-------



Returns and Bridges are "handed" to conform to the *Desk and Credenza Shells* to which they attach. All come with appropriate mounting hardware.

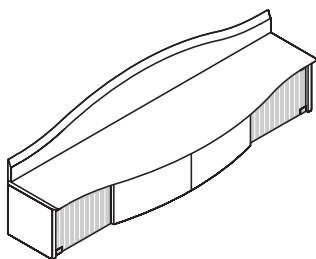
4 Hutches

Description	Model No.	Size (WxDxH)	Wt.	Price
Full hutch.	GFHH7219	72 x 19 x 41	345#	\$2865



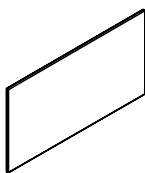
The *full hutch* includes three personal drawers, an adjustable shelf, binder slots and translucent glass doors flanking curved doors on the center section.

Wall hung hutch.	GWHH7219	72 x 19 x 22	195#	\$1975
------------------	----------	--------------	------	--------

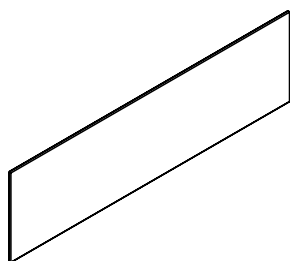


HUTCH OPTIONS

Full hutch tack panel.	GHTP3820	38 x 20 x .5	9#	\$178
------------------------	----------	--------------	----	-------



Wall mounted tack panel.	GHWP7220	72 x 20 x .5	17#	\$230
--------------------------	----------	--------------	-----	-------

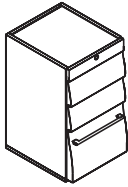


Modular Pedestals & Tops

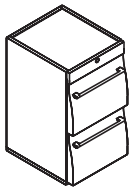
Description	Model No.	Size (WxDxH)	Wt.	Price
-------------	-----------	--------------	-----	-------

PEDESTALS

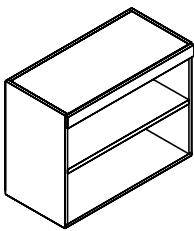
Box, box, file pedestal.*	GBBF1619	16 x 19 x 28	95#	\$785
---------------------------	----------	--------------	-----	-------



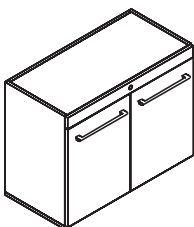
File, file pedestal.*	GFFP1619	16 x 19 x 28	90#	\$785
-----------------------	----------	--------------	-----	-------



Open storage cabinet.*	GOSC3618	36 x 18 x 28	110#	\$395
------------------------	----------	--------------	------	-------



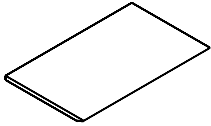
Closed storage cabinet.*	GCSC3618	36 x 18 x 28	140#	\$795
--------------------------	----------	--------------	------	-------



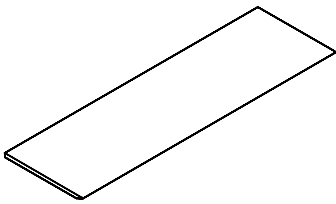
* Please refer to page 5-2 for finished top information.

5 Modular Pedestals & Tops

	Model No.	Size (WxDxH)	Wt.	Price
TOPS	GTOP3619	36 x 19 x 1	38#	\$140
	GTOP3622	36 x 22 x 1	40#	\$140



	GTOP7219	72 x 19 x 1	78#	\$220
	GTOP7222	72 x 22 x 1	80#	\$220



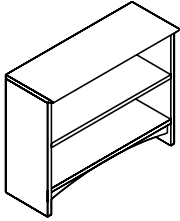
Modular Tops are provided in two depths: 19" when used on top of freestanding pedestals, storage cabinets or lateral files, and 22" deep when attached to a credenza shell.

Bookcases, Lateral Files & Wardrobes

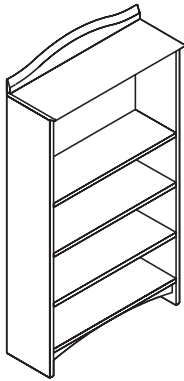
Description	Model No.	Size (WxDxH)	Wt.	Price
-------------	-----------	--------------	-----	-------

BOOKCASES

Low bookcase.	GLBK3614	36 x 14 x 29	70#	\$295
---------------	----------	--------------	-----	-------



High bookcase.	GHBK3614	36 x 14 x 70	140#	\$475
----------------	----------	--------------	------	-------

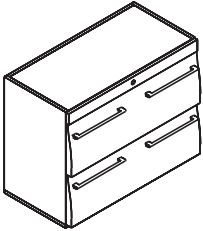


6 Bookcases, Lateral Files & Wardrobes

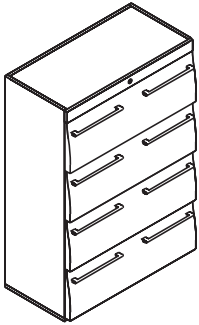
Description	Model No.	Size (WxDxH)	Wt.	Price
-------------	-----------	--------------	-----	-------

LATERAL FILES

Two drawer lateral file.*	G2LF3619	36 x 19 x 28	160#	\$995
---------------------------	----------	--------------	------	-------



Four drawer lateral file.*	G4LF3619	36 x 19 x 52	250#	\$1990
----------------------------	----------	--------------	------	--------



Lateral Files feature full-extension Accuride™ slides, lock and accessories to allow for front-to-back and side-to-side file storage.

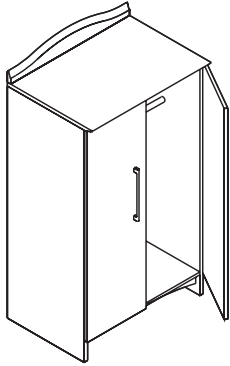
* Please refer to page 5-2 for finished top information.

Bookcases, Lateral Files & Wardrobes

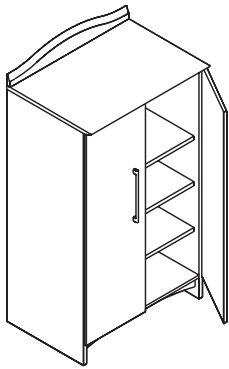
Description	Model No.	Size (WxDxH)	Wt.	Price
-------------	-----------	--------------	-----	-------

WARDROBES

Wardrobe cabinet.	GWAC3626	36 x 26 x 70	225#	\$1395
-------------------	----------	--------------	------	--------



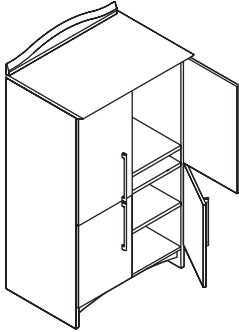
Wardrobe/storage cabinet.	GWSC3626	36 x 26 x 70	275#	\$1485
---------------------------	----------	--------------	------	--------



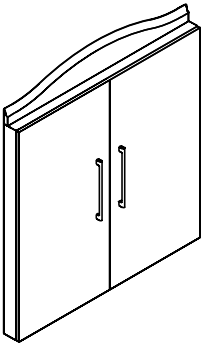
Wardrobe Cabinets include one full-width hanging rod. *Wardrobe/Storage Cabinets* have a 12" wide space with hanging rod on the left and three adjustable shelves on the right.

7 Conference

Description	Model No.	Size (WxDxH)	Wt.	Price
Media center.	GMEC3626	36 x 26 x 70	275#	\$1815



Visual board.	GVS4848	48 x 4 x 48	180#	\$1275
---------------	---------	-------------	------	--------



Media centers carry 175° opening upper doors with an adjustable shelf for monitor and VCR compartments.

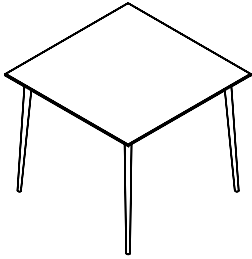
Visual boards consist of a two door cabinet that opens to a magnetic porcelain clad wipable surface, tackable panel and provision for a flip chart. Attaches to wall with recessed wood cleat hanger. Optional pull down projection screen—add \$175.

Conference

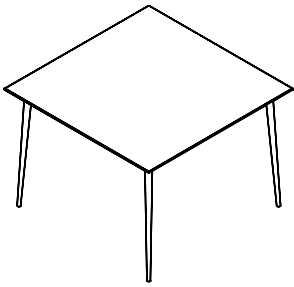
Description	Model No.	Size (WxDxH)	Wt.	Price
-------------	-----------	--------------	-----	-------

SQUARE TABLES

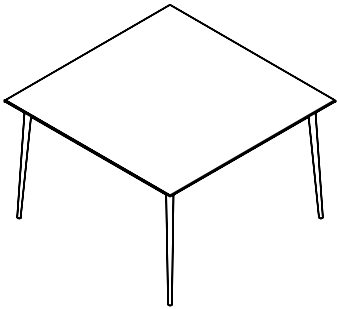
GSQT3636	36 x 36 x 29	50#	\$845
----------	--------------	-----	-------



GSQT4242	42 x 42 x 29	68#	\$1025
----------	--------------	-----	--------



GSQT4848	48 x 48 x 29	90#	\$1100
----------	--------------	-----	--------

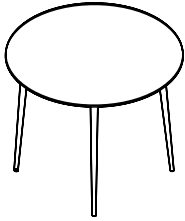


7 Conference

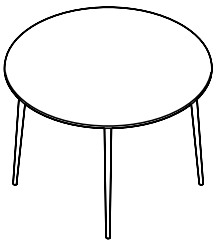
Description	Model No.	Size (WxDxH)	Wt.	Price
-------------	-----------	--------------	-----	-------

ROUND TABLES

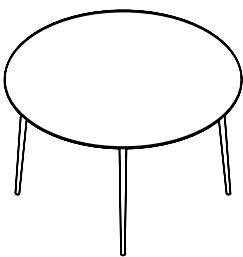
GROT3600	36" dia.x 29	63#	\$895
----------	--------------	-----	-------



GROT4200	42" dia. x 29	86#	\$1075
----------	---------------	-----	--------



GROT4800	48" dia. x 29	112#	\$1150
----------	---------------	------	--------

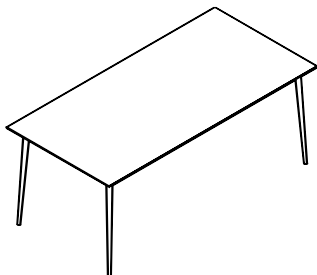


Conference

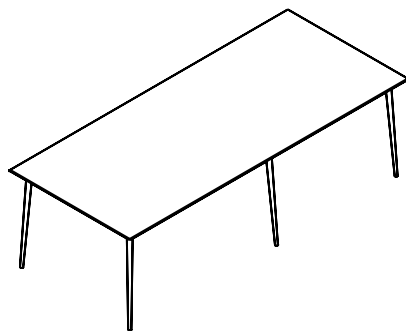
Description	Model No.	Size (WxDxH)	Wt.	Price
-------------	-----------	--------------	-----	-------

RECTANGULAR TABLES

GRET7236	72 x 36 x 29	136#	\$1175
----------	--------------	------	--------



GRET9642	96 x 42 x 29	184#	\$1930
----------	--------------	------	--------



8 Terms and Conditions

Order Information

All orders are to be in writing to avoid errors and/or duplication. Orders are accepted subject only to the terms and conditions listed hereunder. It is expressly understood that variation from these terms and conditions shall only pertain on a per order basis when agreed to in writing by an officer of HLF Furniture, Incorporated. In placing an order, customer unconditionally agrees that terms and conditions listed hereunder shall supercede any and all terms and conditions listed on the customer's purchase order.

Phone Orders

Phone orders must be followed by written confirmation via mail or FAX transmission. It is the customer's responsibility to clearly indicate confirmation to avoid duplication.

Acknowledgement

It is our policy to acknowledge all orders in writing. The Acknowledgement will reflect as completely as possible our understanding of the order and will indicate the correct net pricing and approximate ship date. It remains the customer's responsibility to check the Acknowledgement for accuracy and to promptly report any errors or discrepancies.

Date of Delivery

It is our firm intention to comply with requested delivery dates insofar as is reasonably possible; however, it should be recognized that the date of shipment listed on our Acknowledgement is an estimate only and not an essential term of agreement. Delays in shipment of an order do not constitute a valid reason for cancellation nor shall HLF be liable for any expenses arising from any delay in delivery or failure to make delivery due to unavailability of raw materials, labor, or supplies or any factor beyond our reasonable control which might hinder or impede the manufacture or delivery of all or part of any order accepted.

Cancellations/Changes

Orders may be cancelled or changed at any time prior to commencement of production. The customer will be responsible for any costs incurred up to the point of cancellation and for the cost of the changes. No cancellations or changes will be accepted after production has commenced.

Prices

All prices are subject to change without notice. Orders are accepted at the price in effect as of the date of receipt of order at the factory.

Terms

Terms are 1% 10 days/net 30 days for customers on open account. Open account is only granted upon approval of a completed HLF Credit Application by our credit department. A 50% deposit or Pro Forma payment may be required prior to processing an initial order. No orders will be processed for accounts having outstanding invoices more than 30 days past due.

Specifications

Sizes, as listed, are nominal and may vary plus or minus .5" from list. Where product construction and material specifications are listed in this price list, they represent materials and methods in use at the time this guide was printed. HLF unconditionally reserves the right to change materials and construction methods without notice as part of our continuing efforts to improve products and techniques. HLF does not manufacture plastic laminates. Specifications for plastic laminates should be obtained directly from the appropriate laminate manufacturers.

Returns/Restocking

No returns will be accepted without the prior written consent of the factory. As all goods are manufactured to order, there is no provision offered for restocking merchandise upon payment of a restocking charge.

Terms and Conditions

Warranty

All Metropole™ products are warranted to the original purchaser for a period of five years from the date of the original invoice to be free from factory defects in workmanship or materials. Because of natural variations over which HLF has no control, this warranty does not extend to color, grain or texture of wood or textiles and does not warrant matching of color, grain or texture except as specified in the order confirmation.

HLF assumes no responsibility for the improper application or installation of electrical and lighting components, or for labor costs involved in repair or replacement. Lamps, ballasts, sockets or other electrical components not fully manufactured by HLF are covered by manufacturer's trade warranties.

HLF Furniture's sole obligation and customer's remedy under this warranty shall extend to the repair or replacement, at our option, of products which prove defective during the warranty period under normal usage for the purpose intended. Misuse, alteration, negligence, abuse or damage by accident shall negate this warranty. There are no implied warranties of merchantability or fitness for a particular purpose made by HLF in connection with the sale or use of any item. The warranty provisions listed above are expressly in lieu of any other warranties, express or implied by fact or by statute, and all other remedies for damages arising from the sale or use of any item of furniture.

Backcharges

Charges incurred by the customer in expediting shipments or for the repair of goods will not be accepted by the company. Any back charges must be approved in advance in writing by HLF Furniture, Inc. via an HLF Credit Memo. We reserve the right to return goods to the factory for warranty repair rather than incur field service costs and shall be liable only for costs between the factory and the destination to which the goods were first delivered as indicated on our Shipper or Bill of Lading.

Drop Shipment

Customers desiring drop shipments directly to an end user or a job site may do so by requesting the service in writing on their purchase order. Customers will be required to sign and return an HLF Drop Ship Agreement before any drop shipment can occur. Any additional costs will be the customer's responsibility.

Packaging/Crating

All Metropole™ products are shipped blanket wrapped. Packaging and/or crating is available. Consult factory for pricing.

Claims

Claims for any damage must be filed promptly with the carrier. In case of damage, all crating materials should be retained until the goods are inspected. We cannot be responsible for merchandise once a carrier has received and signed for merchandise in good condition.

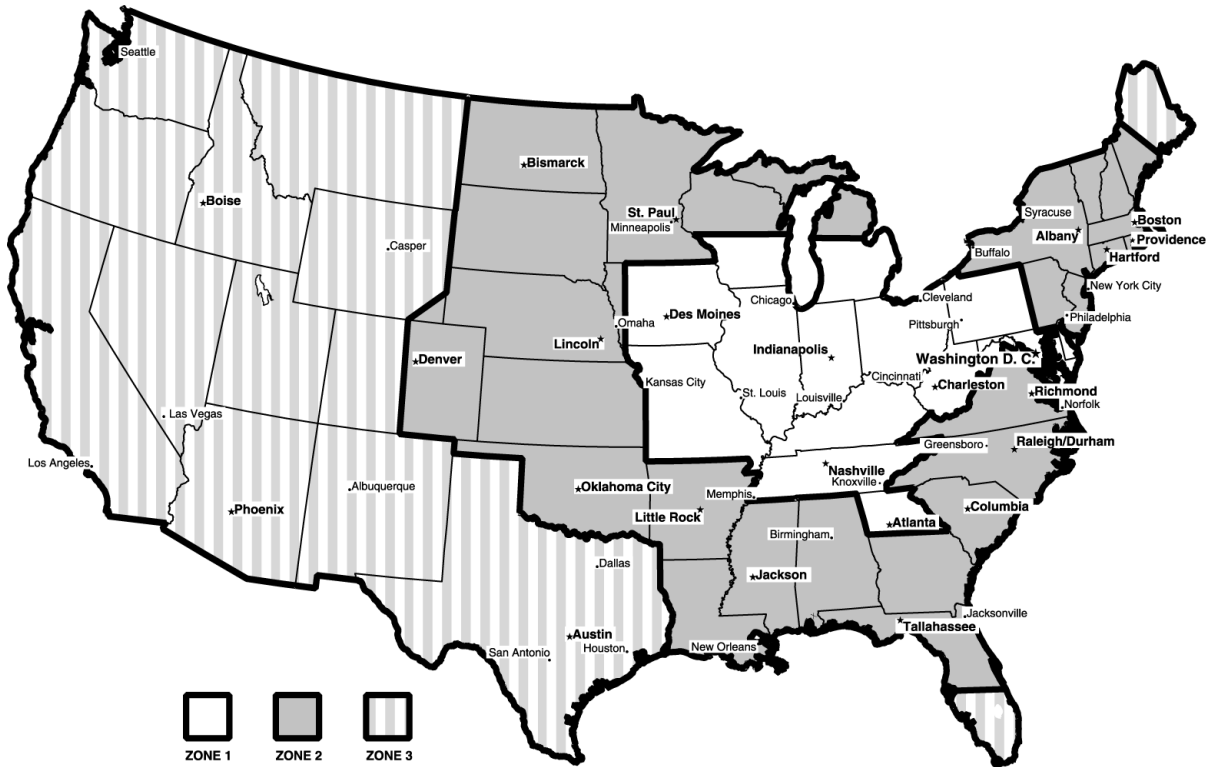
Storage/Delays

When shipment is delayed by the customer, we reserve the right to place the goods in storage at the customer's risk and expense. Terms for payment shall commence upon notification of the customer that goods are ready for pick-up or delivery.

9 Shipping Zones

Zones 1, 2 and 3

Shipments made to dealers in Zones 1, 2 and 3 are either common or contract carrier, at the factory's discretion. For orders exceeding \$2000 net, pricing includes the freight cost to your location. For orders less than \$2000 net, add a \$50 drop charge for Zone 1, a \$100 drop charge for Zone 2 and a \$150 drop charge for Zone 3.





HLF FURNITURE, INC.

44001 VAN BORN ROAD • BELLEVILLE, MICHIGAN 48111

(734) 697-3000 • FAX (734) 697-3008

www.hlffurniture.com